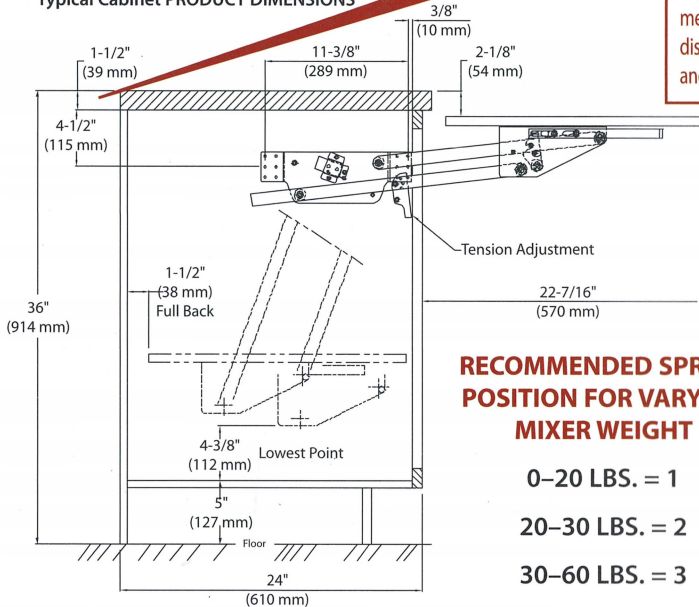


Typical Cabinet PRODUCT DIMENSIONS



NOTE: The dimensions listed provide clearance for an item 15³/₁₆" H x 14¹/₁₆" D placed at the front edge of the shelf. Depending on your cabinet construction and your specific height and depth requirements, the 4¹/₂" dimension from the top of the cabinet to the middle of the lifting mechanism can be reduced to allow the platform to be closer to counter height, thus a greater distance below the unit in the closed position. It can also be increased to allow for items taller and deeper than the dimensions provided.

RECOMMENDED SPRING POSITION FOR VARYING MIXER WEIGHT

0-20 LBS. = 1

20-30 LBS. = 2

30-60 LBS. = 3

