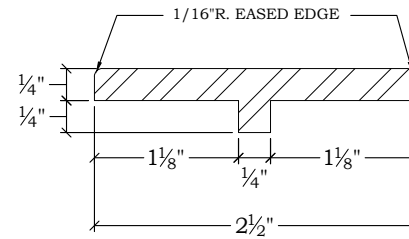
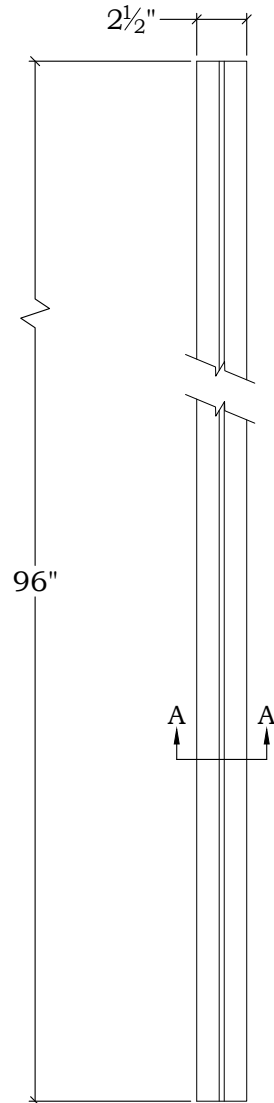


Section A-A

NOTES:

1. FINISH ALL EXPOSED SURFACES EXCEPT THE BOTTOM SURFACES.
2. EASE ALL EXPOSED EDGES EXCEPT EDGES ON BOTTOM SURFACE.

DESCRIPTION:			REVISIONS				APPROVED BY:	SHEET NO:
HEADER BATTEN STRIP			REV #	DESCRIPTION	DATE	APPROVED		
Drawn By: JS	Date: 11/26/18	Scale: NOT_TO_SCALE					1	
Job Number: N/A	Elevation: N/A	Room Number: N/A						
Sheet Number: 1	Phase Number: N/A	Part Number: MSB-BS-0096						



Section A-A

NOTES:

1. FINISH ALL EXPOSED SURFACES EXCEPT THE BOTTOM SURFACES.
2. EASE ALL EXPOSED EDGES EXCEPT EDGES ON BOTTOM SURFACE.

DESCRIPTION:

REVISIONS

APPROVED BY:

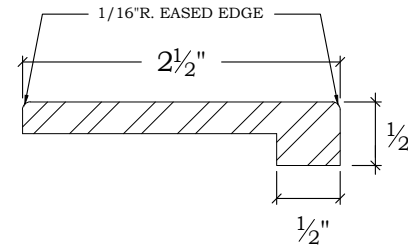
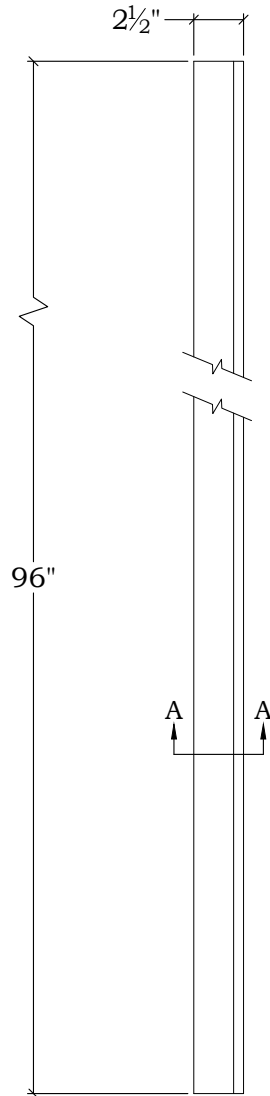
SHEET NO:

SEAM BATTEN STRIP

REV #	DESCRIPTION	DATE	APPROVED

Drawn By: JS	Date: 11/26/18	Scale: NOT_TO_SCALE
Job Number: N/A	Elevation: N/A	Room Number: N/A
Sheet Number: 1	Phase Number: N/A	Part Number: MSB-TB-0096

1

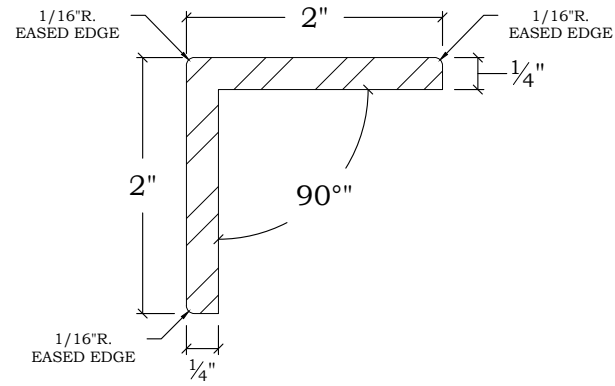
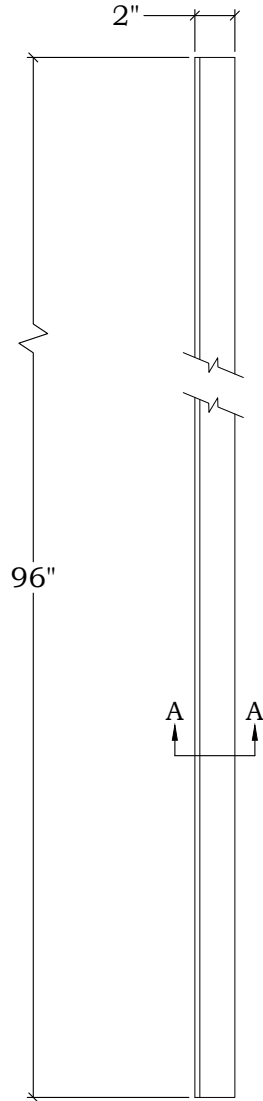


Section A-A

NOTES:

1. FINISH ALL EXPOSED SURFACES EXCEPT THE BOTTOM SURFACES.
2. EASE ALL EXPOSED EDGES EXCEPT EDGES ON BOTTOM SURFACE.

DESCRIPTION:			REVISIONS				APPROVED BY:	SHEET NO:
OUTSIDE TRIM			REV #	DESCRIPTION	DATE	APPROVED		
Drawn By: JS	Date: 11/26/18	Scale: NOT_TO_SCALE						
Job Number: N/A	Elevation: N/A	Room Number: N/A						
Sheet Number: 1	Phase Number: N/A	Part Number: MSB-OT-0096						
							1	

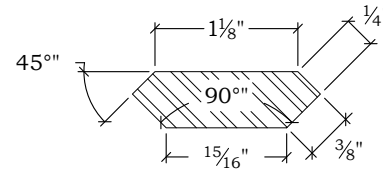
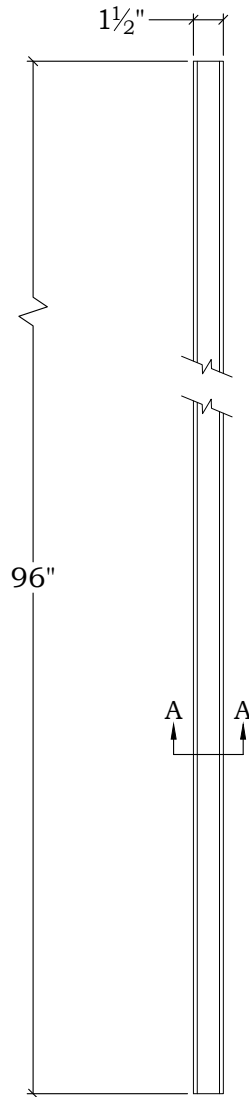


Section A-A

NOTES:

1. EASE ALL EDGES
2. ALL FACES MUST BE FINISHED (NO SAW BLADE MARKS)

DESCRIPTION:			REVISIONS				APPROVED BY:	SHEET NO:
OUTSIDE CORNER			REV #	DESCRIPTION	DATE	APPROVED		
Drawn By: JS	Date: 11/26/18	Scale: NOT_TO_SCALE					1	
Job Number: N/A	Elevation: N/A	Room Number: N/A						
Sheet Number: 1	Phase Number: N/A	Part Number: MSB-OC-0096						

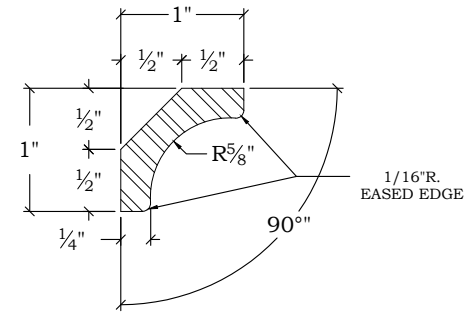
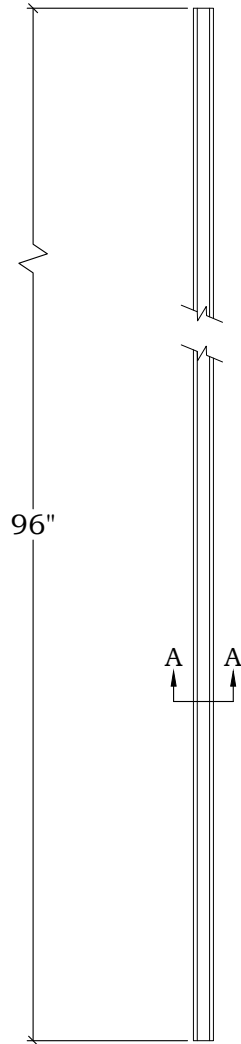


Section A-A

NOTES:

1. FINISH ALL EXPOSED SURFACES EXCEPT THE BOTTOM SURFACES.
2. EASE ALL EXPOSED EDGES EXCEPT EDGES ON BOTTOM SURFACE.

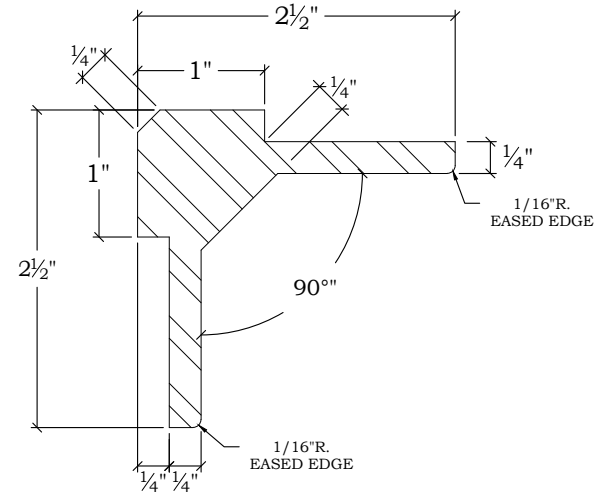
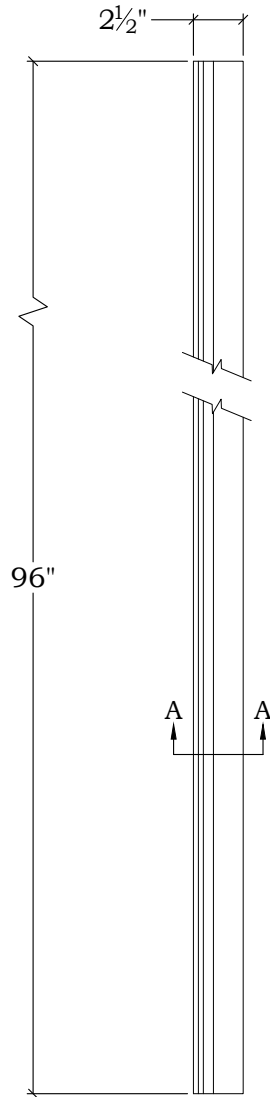
DESCRIPTION:			REVISIONS				APPROVED BY:	SHEET NO:
INSIDE DIAGONAL CORNER			REV #	DESCRIPTION	DATE	APPROVED		
Drawn By: JS	Date: 11/26/18	Scale: NOT_TO_SCALE						
Job Number: N/A	Elevation: N/A	Room Number: N/A						
Sheet Number: 1	Phase Number: N/A	Part Number: MSB-ID-0096						



Section A-A

- NOTES:**
1. FINISH ALL EXPOSED SURFACES EXCEPT THE BOTTOM SURFACES.
 2. EASE ALL EXPOSED EDGES EXCEPT EDGES ON BOTTOM SURFACE.

DESCRIPTION:			REVISIONS				APPROVED BY:	SHEET NO:
INSIDE COVED CORNER			REV #	DESCRIPTION	DATE	APPROVED		1
Drawn By: JS	Date: 11/26/18	Scale: NOT_TO_SCALE						
Job Number: N/A	Elevation: N/A	Room Number: N/A						
Sheet Number: 1	Phase Number: N/A	Part Number: MSB-IC-0096						

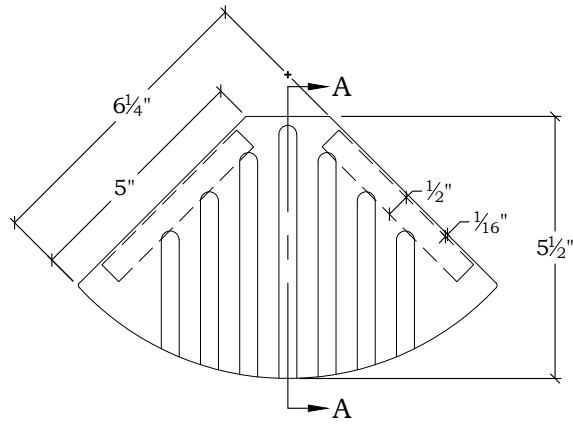


Section A-A

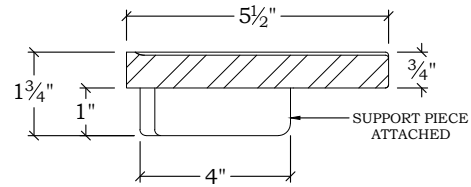
NOTES:

1. EASE SHOWN EDGES
2. ALL FACES MUST BE FINISHED (NO SAW BLADE MARKS)

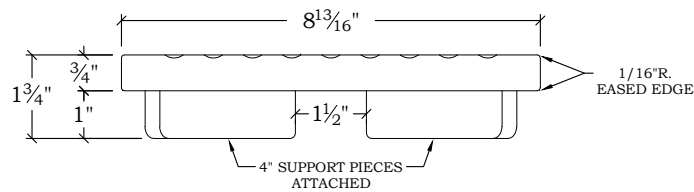
DESCRIPTION:			REVISIONS				APPROVED BY:	SHEET NO:
INSIDE EXPANSION CORNER			REV #	DESCRIPTION	DATE	APPROVED		1
Drawn By: JS	Date: 11/26/18	Scale: NOT_TO_SCALE						
Job Number: N/A	Elevation: N/A	Room Number: N/A						
Sheet Number: 1	Phase Number: N/A	Part Number: MSB-IE-0096						



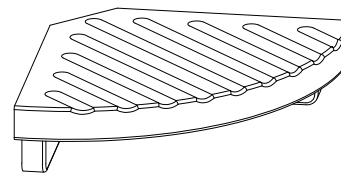
TOP VIEW



SECTION A-A

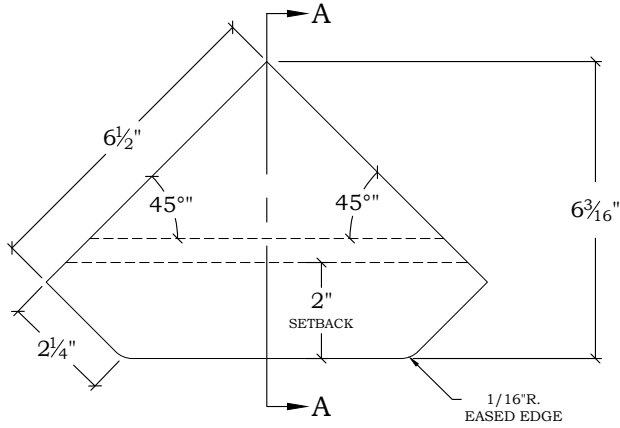


FRONT VIEW

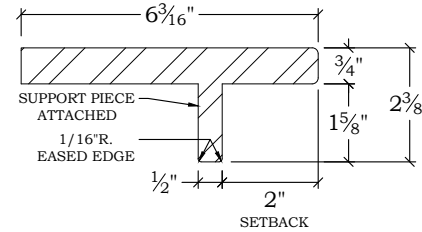


FINISHED VIEW

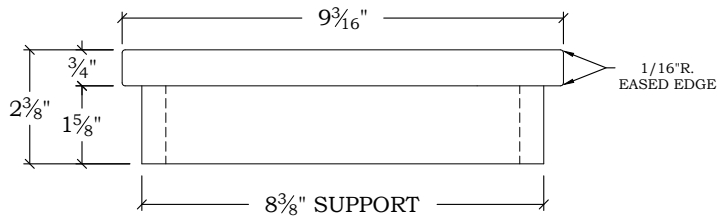
DESCRIPTION:			REVISIONS				APPROVED BY:	SHEET NO:
SOAP DISH			REV #	DESCRIPTION	DATE	APPROVED		
Drawn By: JS	Date: 11/26/18	Scale: NOT_TO_SCALE					1	
Job Number: N/A	Elevation: N/A	Room Number: N/A						
Sheet Number: 1	Phase Number: N/A	Part Number: MSB-SD-0606						



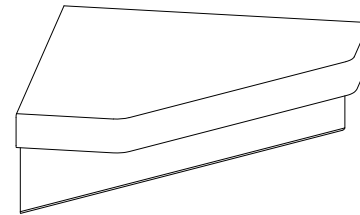
TOP VIEW



SECTION A-A

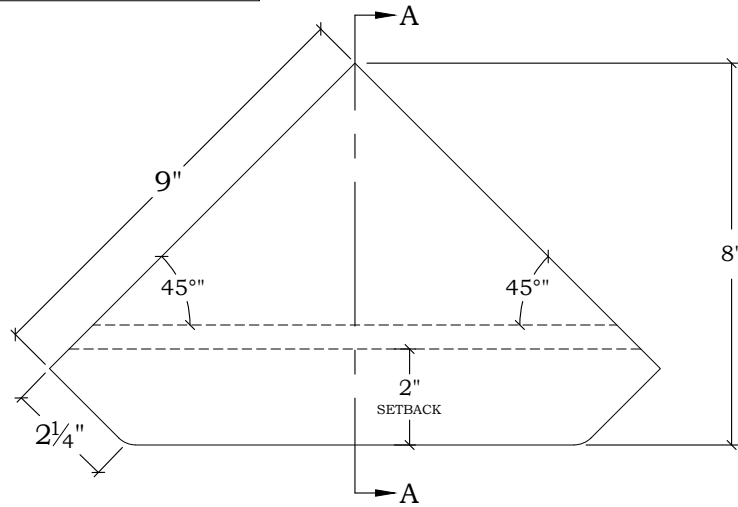


FRONT VIEW

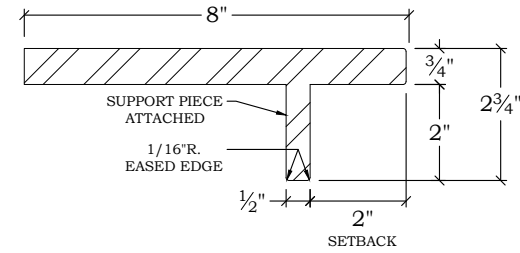


FINISHED VIEW

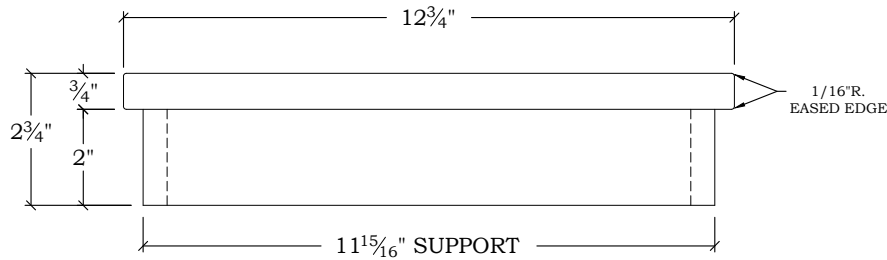
DESCRIPTION:			REVISIONS				APPROVED BY:	SHEET NO:
DIAGONAL SMALL CORNER SHELF			REV #	DESCRIPTION	DATE	APPROVED		
Drawn By: JS	Date: 11/26/18	Scale: NOT_TO_SCALE					1	
Job Number: N/A	Elevation: N/A	Room Number: N/A						
Sheet Number: 1	Phase Number: N/A	Part Number: MSB-SC-0909						



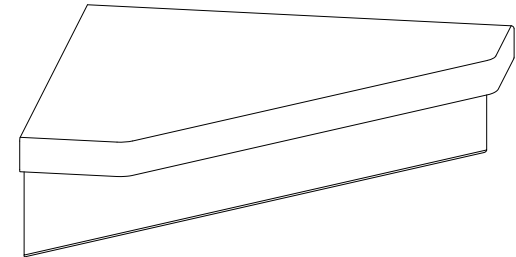
TOP VIEW



SECTION A-A



FRONT VIEW



FINISHED VIEW

NOTES:

1. FINISH ALL EXPOSED SURFACES EXCEPT THE BOTTOM SURFACES.
2. EASE ALL EXPOSED EDGES EXCEPT EDGES ON BOTTOM SURFACE.

DESCRIPTION:

REVISIONS

APPROVED BY:

SHEET NO:

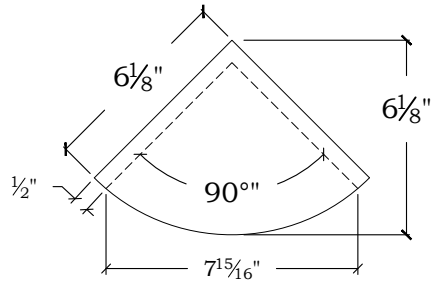
DIAGONAL LARGE CORNER SHELF

REV #	DESCRIPTION	DATE	APPROVED

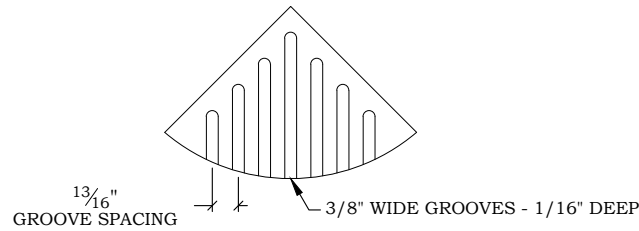
Drawn By: JS	Date: 11/26/18	Scale: NOT_TO_SCALE
Job Number: N/A	Elevation: N/A	Room Number: N/A
Sheet Number: 1	Phase Number: N/A	Part Number: MSB-LC-0909

NOTES:

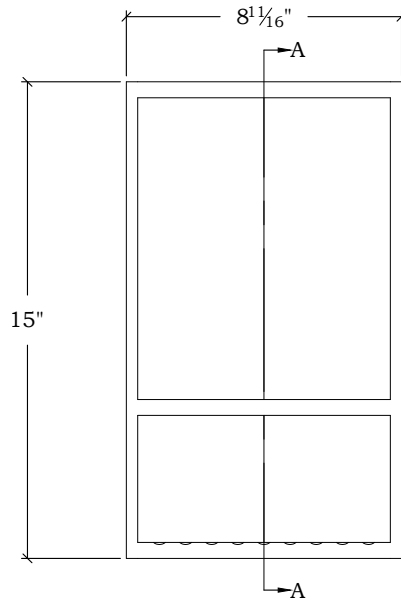
1. EASE ALL EXPOSED EDGES 1/16"R.
2. FINISH ALL EXPOSED SURFACES



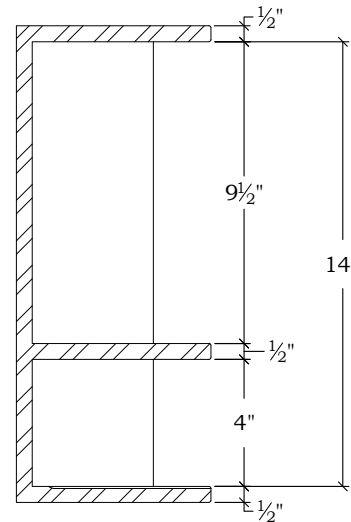
TOP VIEW



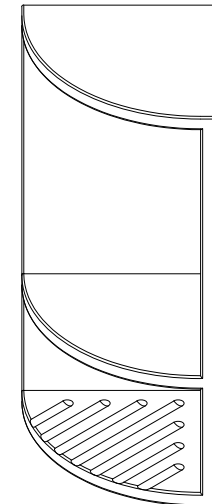
SOAP SHELF DETAIL



FRONT VIEW



SECTION A-A



DESCRIPTION:

REVISIONS

APPROVED BY:

SHEET NO:

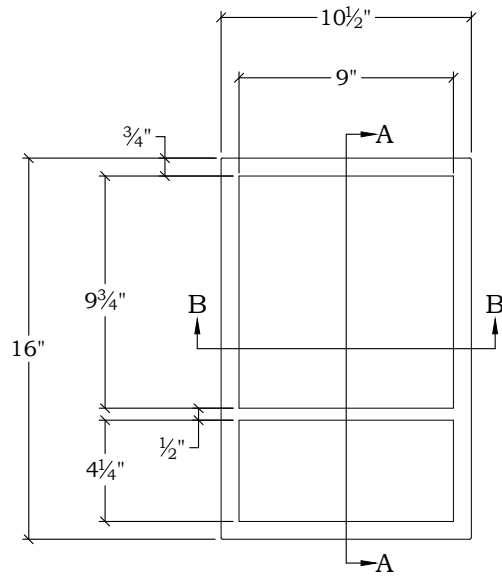
CORNER CADDY

REV #	DESCRIPTION	DATE	APPROVED

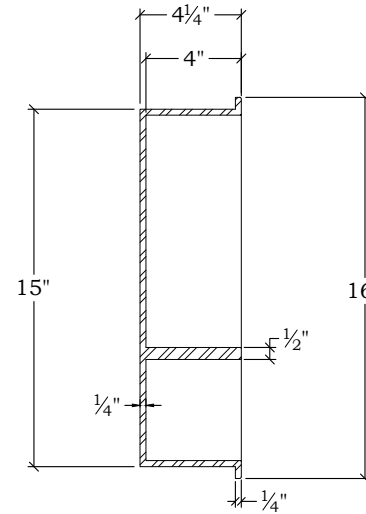
Drawn By: JS	Date: 11/26/18	Scale: NOT_TO_SCALE
Job Number: N/A	Elevation: N/A	Room Number: N/A
Sheet Number: 1	Phase Number: N/A	Part Number: MSB-CC-0615

1

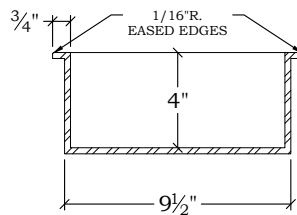
Note: All Dimensions Are Assumed to Have a +/- 1/8" Tolerance as a Result of Mfg. Process and Material Properties - Verify All Dimensions - Typ.



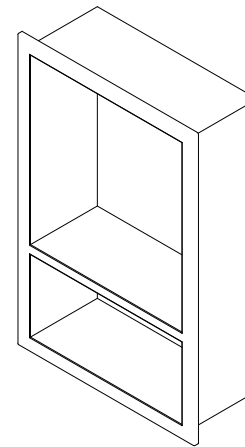
TOP VIEW



SECTION A-A



SECTION B-B



FINISHED VIEW

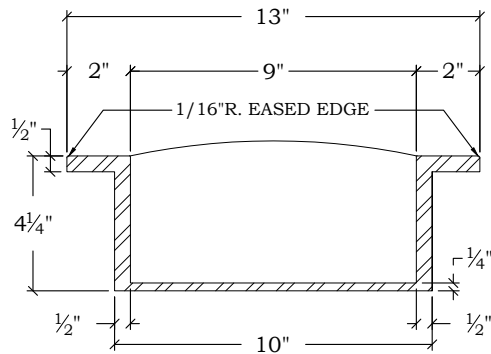
- NOTES:**
1. EASE ALL EXPOSED EDGES
 2. FINISH ALL EXPOSED SURFACES

DESCRIPTION:			REVISIONS				APPROVED BY:	SHEET NO:
RECESSED CADDY			REV #	DESCRIPTION	DATE	APPROVED		
Drawn By: JS	Date: 11/26/18	Scale: NOT_TO_SCALE					1	
Job Number: N/A	Elevation: N/A	Room Number: N/A						
Sheet Number: 1	Phase Number: N/A	Part Number: MSB-RC-1016						

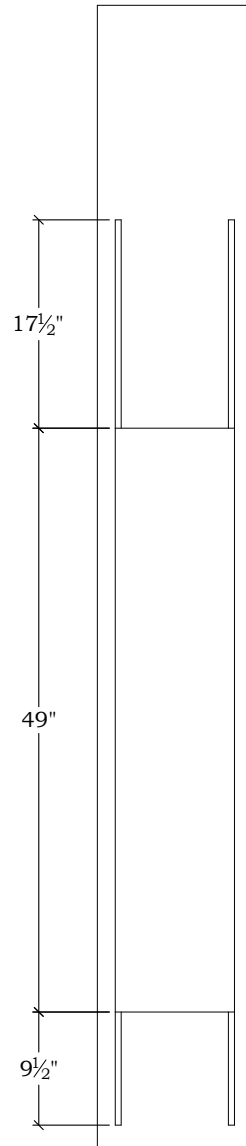
NOTES:

1. FINISH ALL EXPOSED SURFACES EXCEPT THE BOTTOM SURFACES.
2. EASE ALL EXPOSED EDGES EXCEPT EDGES ON BOTTOM SURFACE.

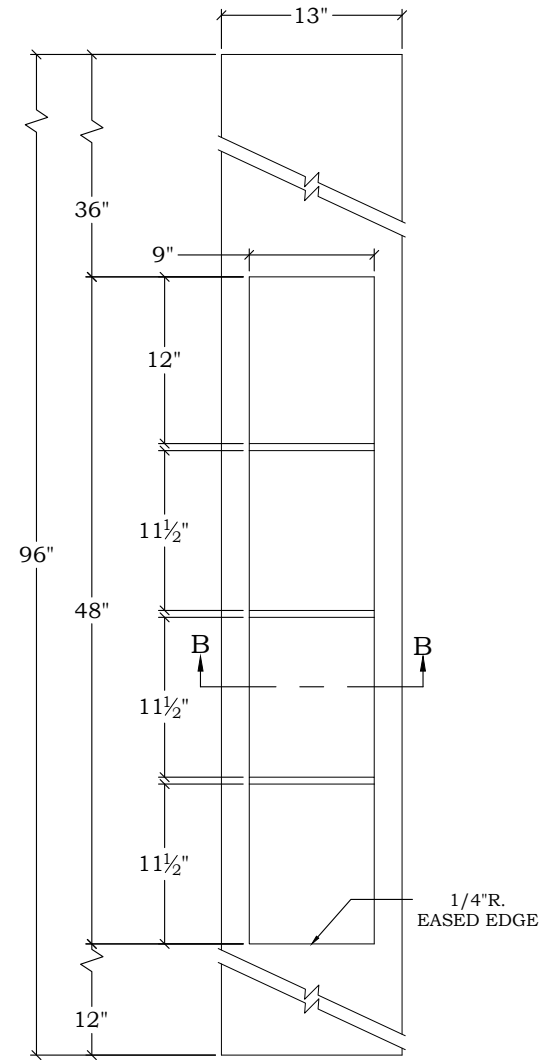
Note: All Dimensions Are Assumed to Have a +/- 1/8" Tolerance as a Result of Mfg. Process and Material Properties - Verify All Dimensions - Typ.



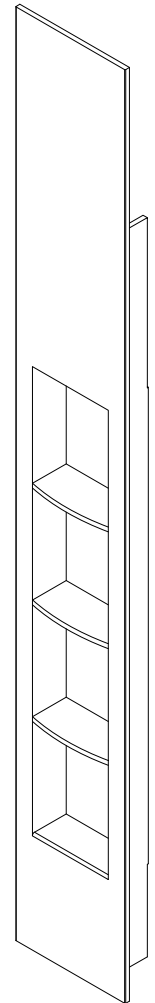
SECTION B-B



BACK VIEW



FRONT VIEW



FINISHED VIEW

DESCRIPTION:

REVISIONS

APPROVED BY:

SHEET NO:

SHOWER SHELF UNIT

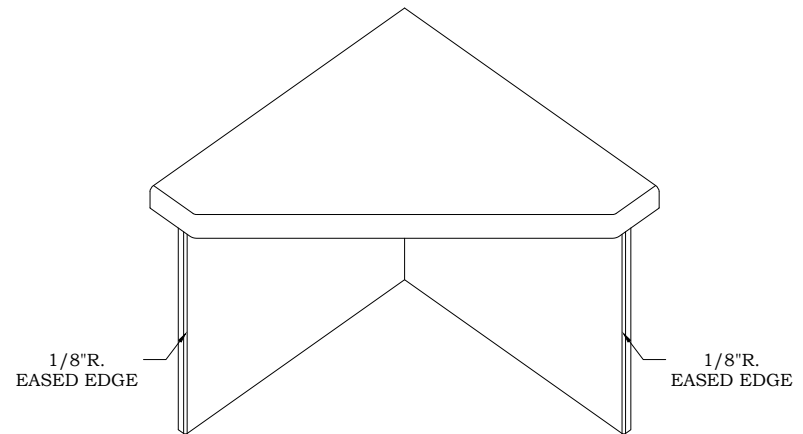
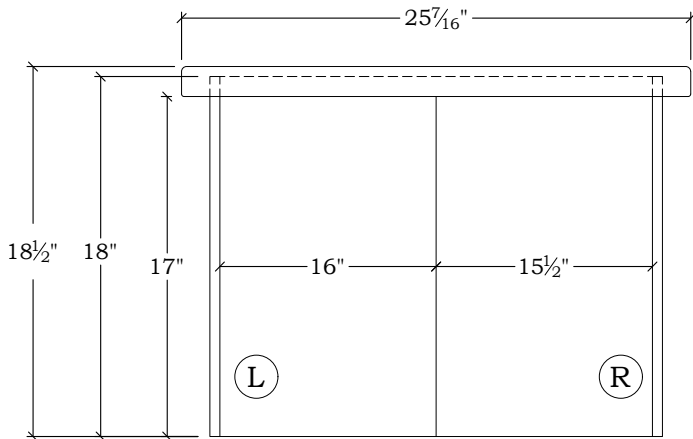
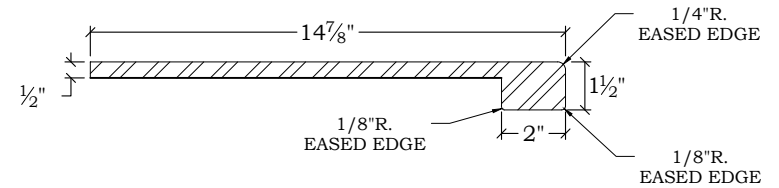
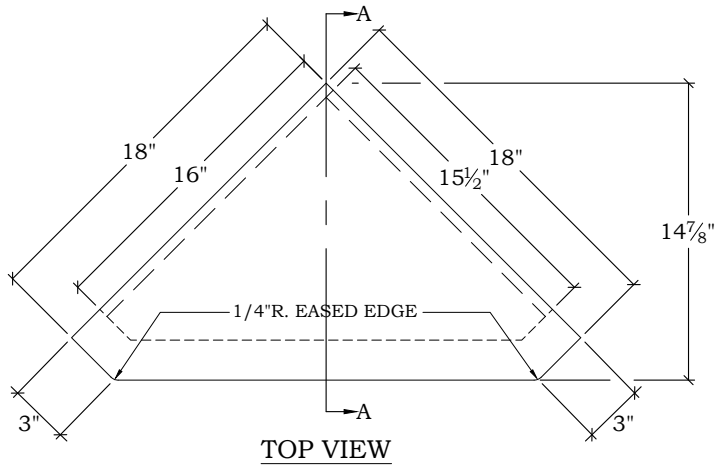
REV #	DESCRIPTION	DATE	APPROVED

Drawn By: JS	Date: 11/26/18	Scale: NOT_TO_SCALE
Job Number: N/A	Elevation: N/A	Room Number: N/A
Sheet Number: 1	Phase Number: N/A	Part Number: MSB-SU-1396

1

NOTES:

1. EASE ALL SHOWN EDGES
2. FINISH ALL EXPOSED SURFACES



DESCRIPTION:			REVISIONS				APPROVED BY:	SHEET NO:
DIAGONAL CORNER SHOWER SEAT			REV #	DESCRIPTION	DATE	APPROVED		1
Drawn By: JS	Date: 11/26/18	Scale: NOT_TO_SCALE						
Job Number: N/A	Elevation: N/A	Room Number: N/A						
Sheet Number: 1	Phase Number: N/A	Part Number: MSB-DS-1818						