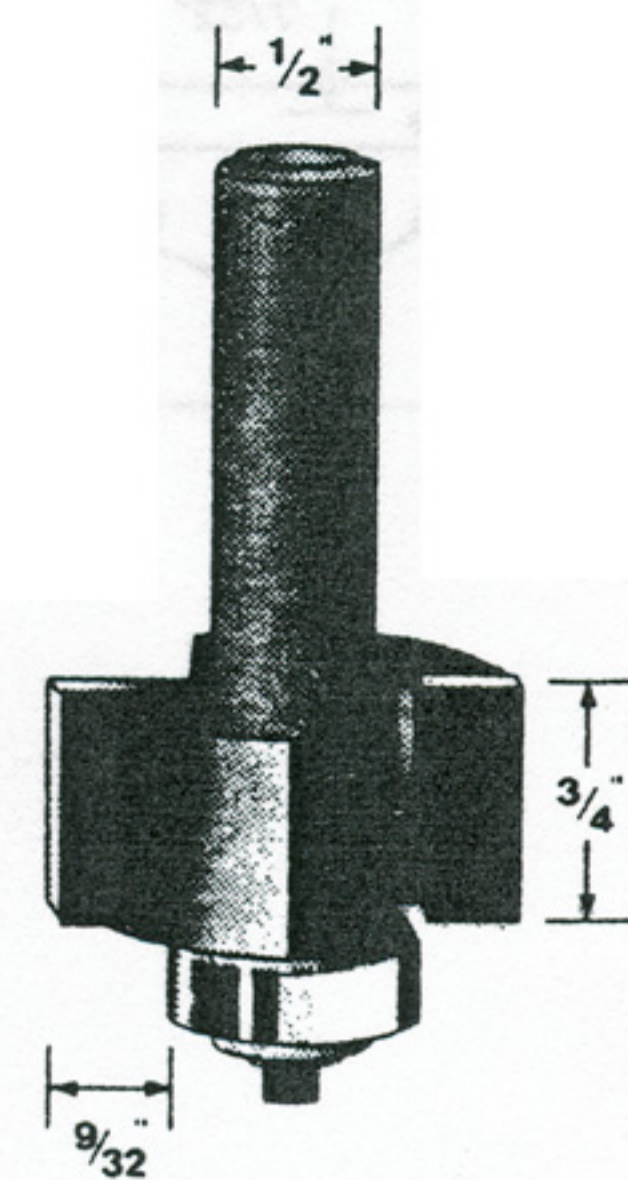
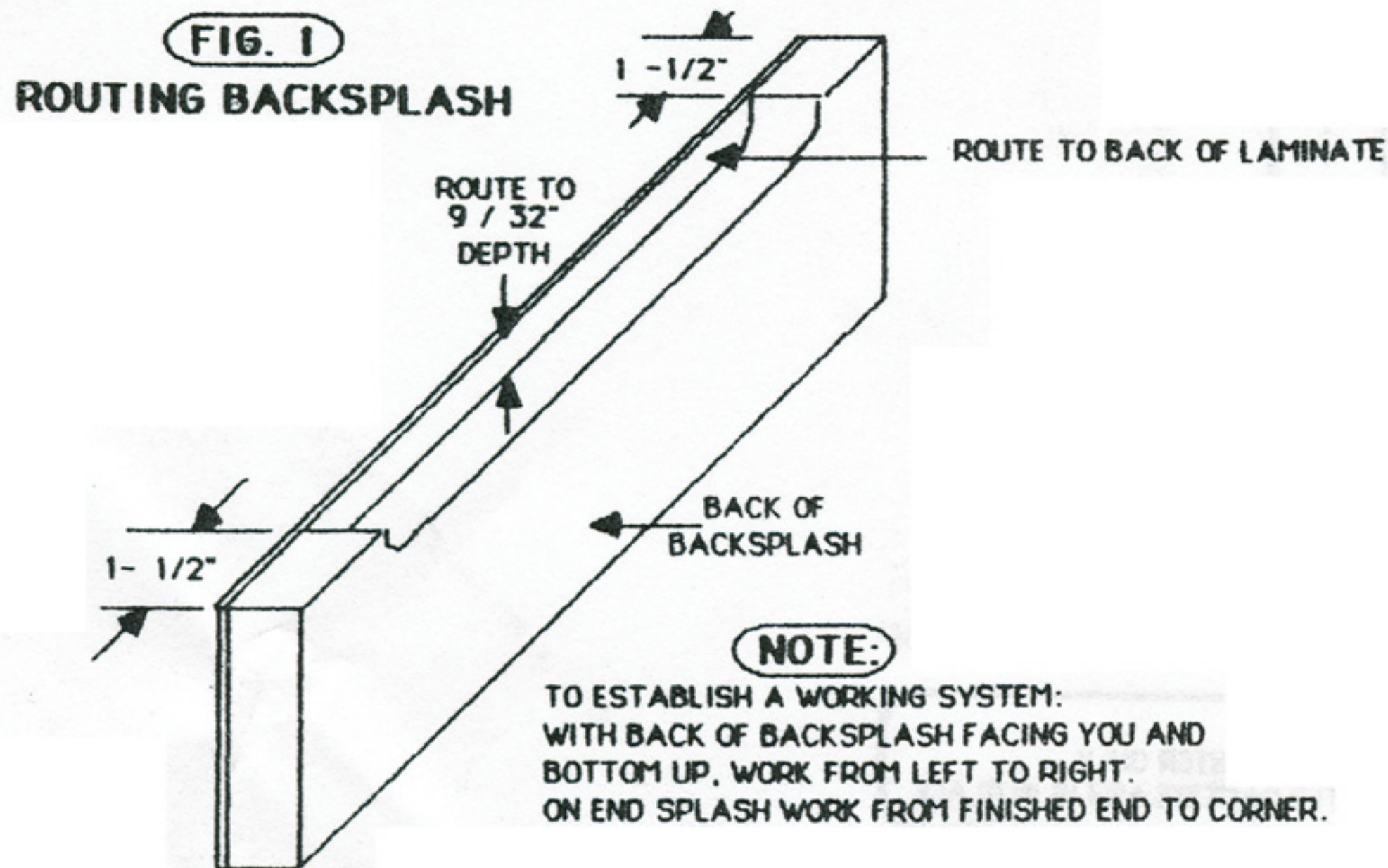
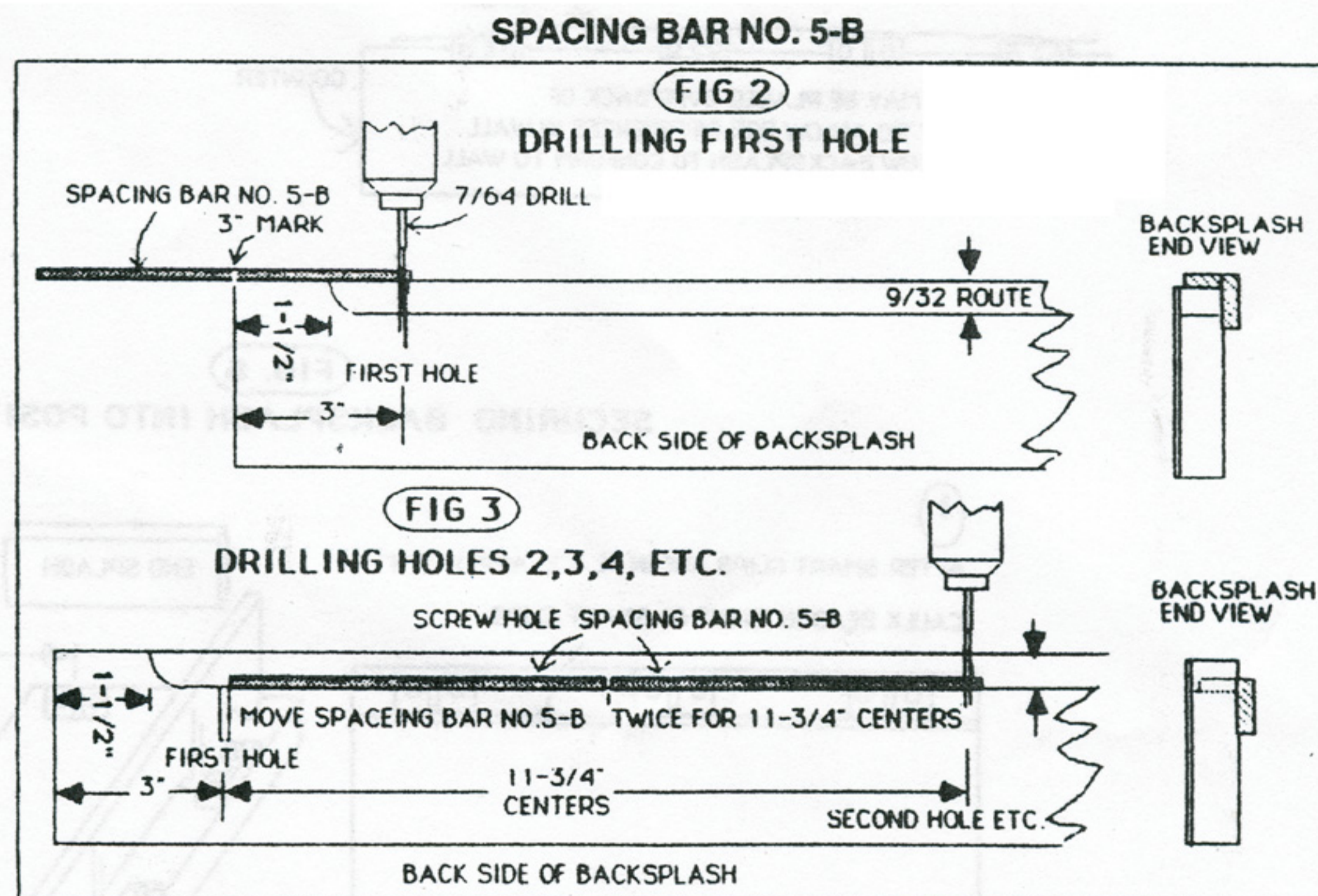


"SMART CLIP"[®] INSTALLATION



ELIMINATE ERRORS IN ROUTING
WITH A [SC-1 ROUTER BIT]
AVAILABLE THRU YOUR DISTRIBUTOR



HAVE A PROBLEM? NEED ASSISTANCE

CALL 1-866-234-6800

9:00 A.M. - 5:00 P.M. E.S. TIME

FOR EASY USE OF THE "SMART CLIP"

WE SUGGEST THE USE OF

THE SC-1 ROUTER BIT

NO. 5-B SPACING BAR

NO. 8 SCREW DEPTH SETTING BIT

FIG. 4

SETTING 1-1/2" SCREWS IN PREDRILLED HOLES

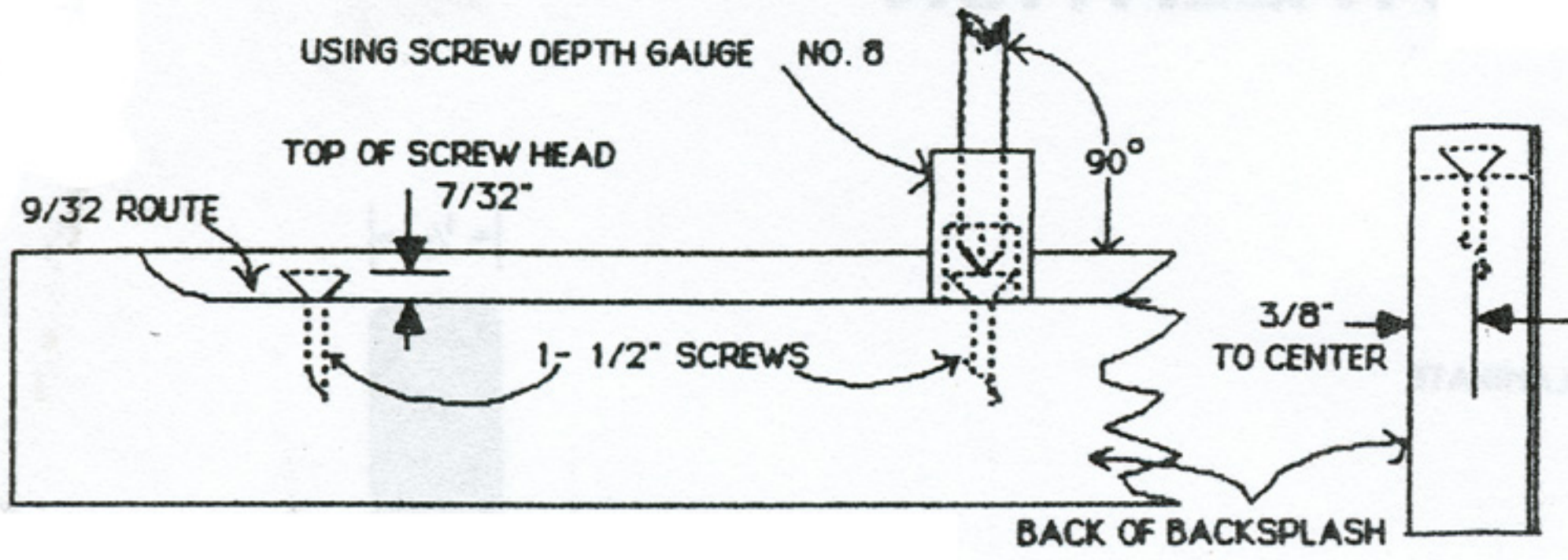
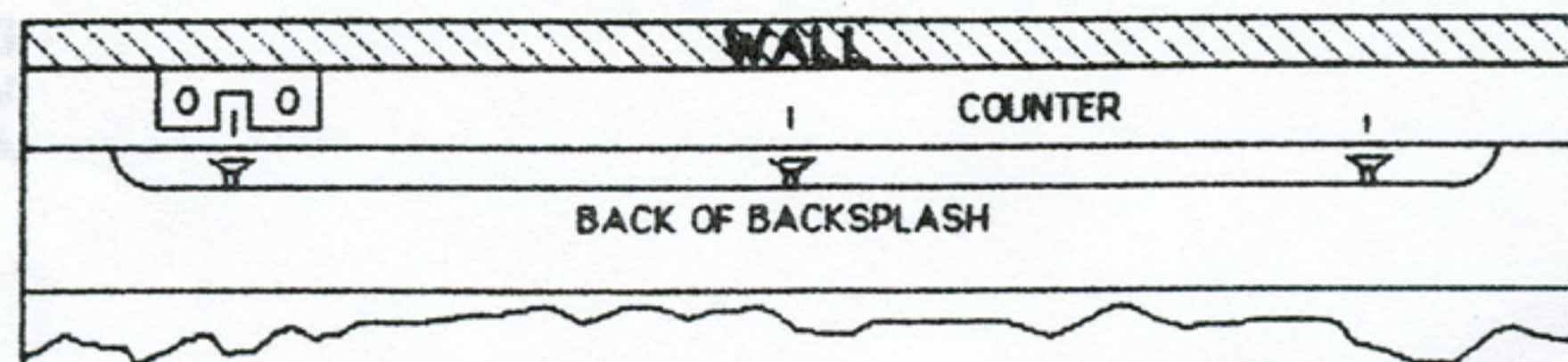


FIG. 5

SECURING SMART CLIPS TO COUNTER TOP

NOTE*
 SECURE FRONT OF COUNTER ONLY
 SECURE BACK OF COUNTER AFTER BACKSPLASH IS IN PLACE.



LAY BACKSPLASH FACE DOWN AND MARK CENTERS OF SCREWS ON COUNTER.
 CENTER SCREW SLOT OF CLIP ON MARKS AND SECURE CLIP, USING 3/4" SCREWS
 HOLDING CLIP TIGHT TO WALL.

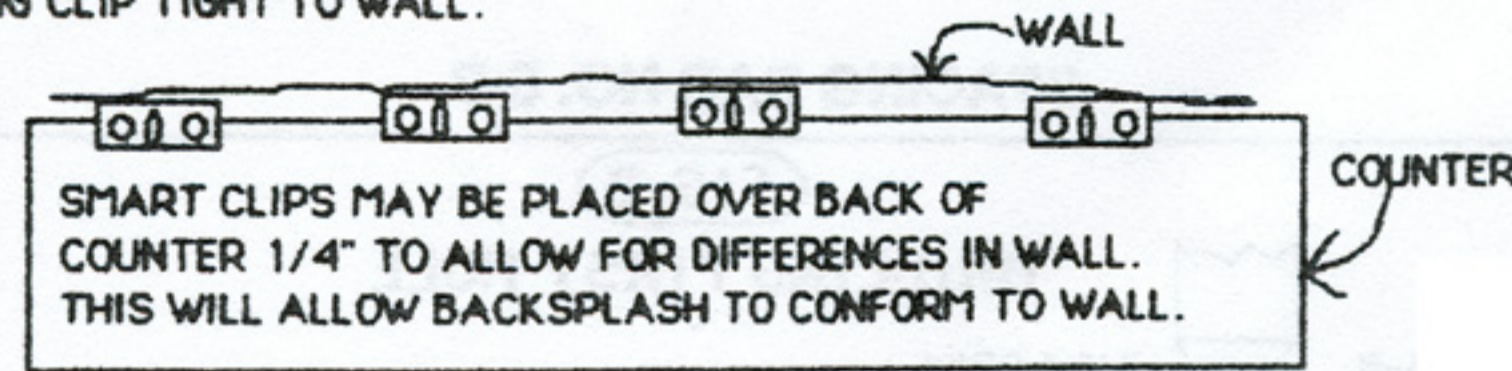
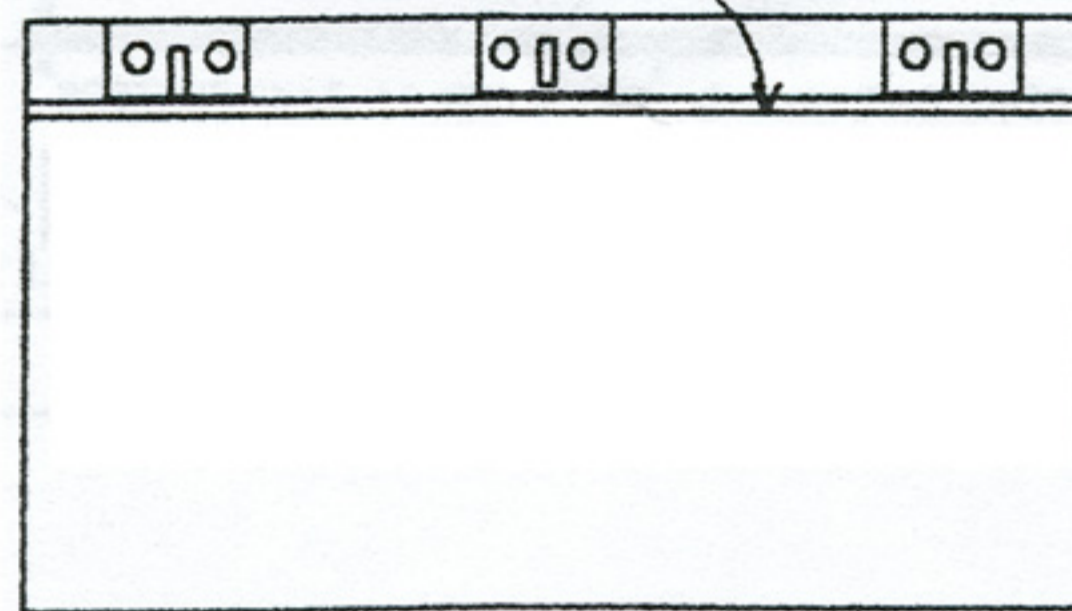


FIG. 6

SECURING BACKSPLASH INTO POSITION

1

AFTER SMART CLIPS ARE IN PLACE, APPLY 1/4" CAULK BEAD IN FRONT OF SMART CLIPS.

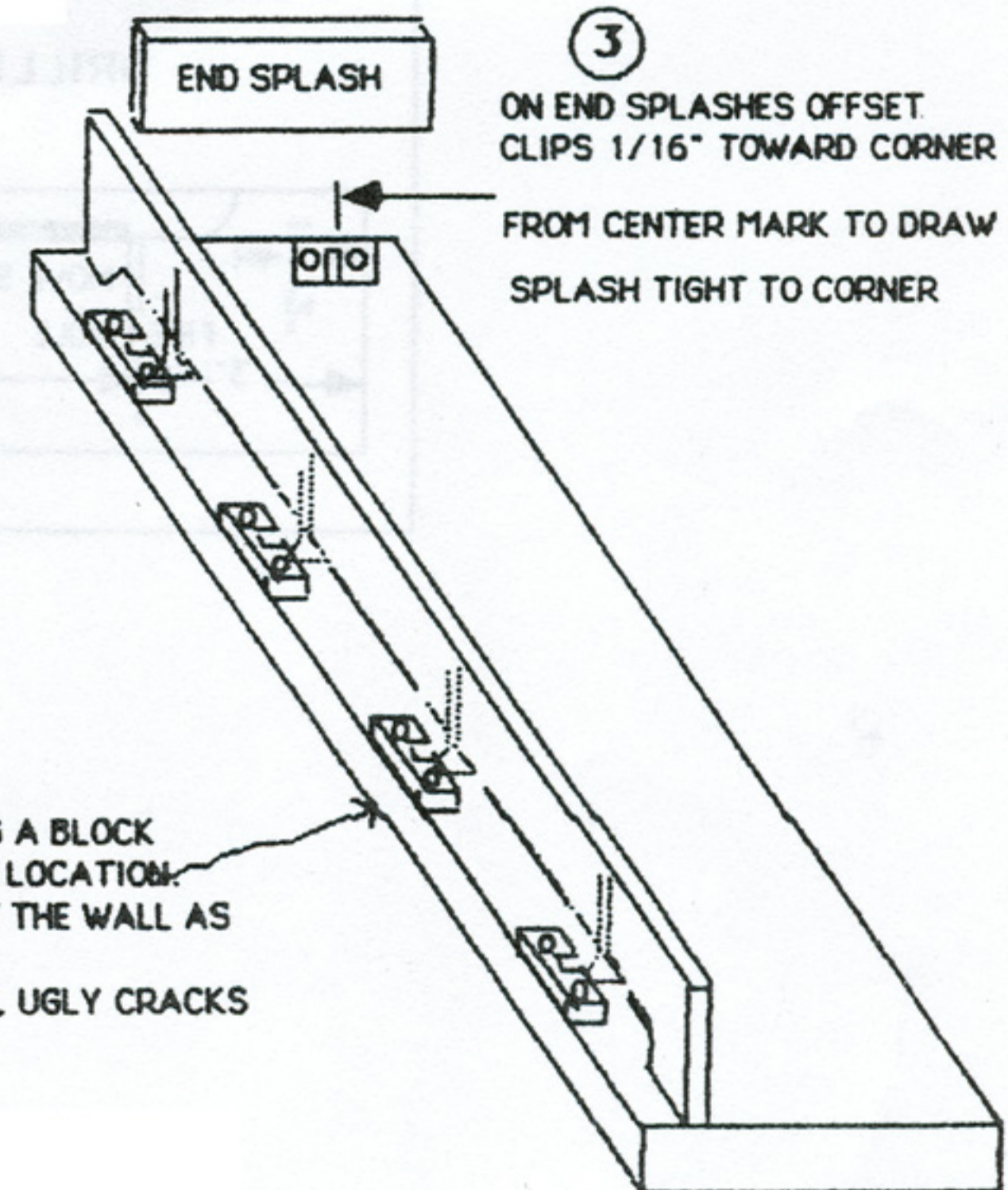


2

AFTER CAULK BEAD IS IN PLACE, ALIGN BACKSPLASH IN FRONT OF SMART CLIPS. USING A BLOCK OF WOOD AND HAMMER, DRIVE IN PLACE AT CLIP LOCATION. BACKSPLASH IS NOW PART OF THE TOP AND NOT THE WALL AS WHEN GLUED. ELIMINATES MASTICS, METALS, FRONT CALKING, UGLY CRACKS AND PROVIDES A LASTING WATER PROOF FIT.

3

ON END SPLASHES OFFSET CLIPS 1/16" TOWARD CORNER FROM CENTER MARK TO DRAW SPLASH TIGHT TO CORNER



www.thesmartclip.com
 DIST. BY UNIVERSITY PLASTICS, INC.
 ANN ARBOR, MI 48103
 1-866-234-6800